

ASSEMBLY & INSTALLATION

VERY IMPORTANT NOTICE

Please check the following before proceeding:

- There is sufficient strength in the roof structure to support the antenna and mast.
- That the thickness of the roof is no greater than 50mm. Mounting sleeve range 25-50mm.
- There's sufficient depth to allow the mast to fully retract. Please see Dimensions for details.

Positioning

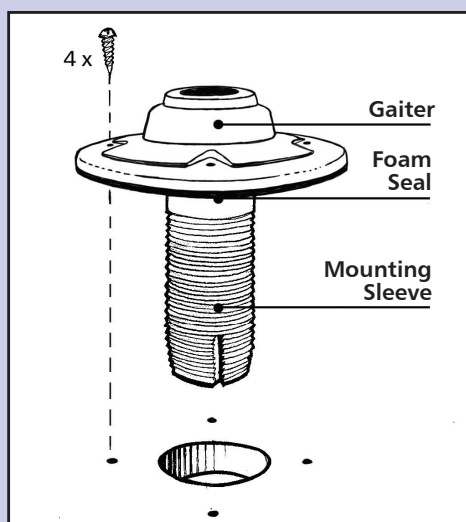
When positioning the Antenna & Mast, please consider the following:-

1. Position in a suitable wardrobe or locker, away from the edge of the roofline to reduce the possibility of damage when travelling.
2. Ensure there are no obstructions on the roof that would obstruct either the lowering or rotation of the antenna.
3. Wherever possible, mount on the offside of the vehicle to reduce the possibility of collision with overhead obstructions.
4. You must ensure there is enough space for the mast to retract fully and for the location of the Amplifier.
5. Position so the Antenna Dome is not shielded from incoming TV signals when raised.
6. Check there are no electrical cables before drilling the mounting hole.

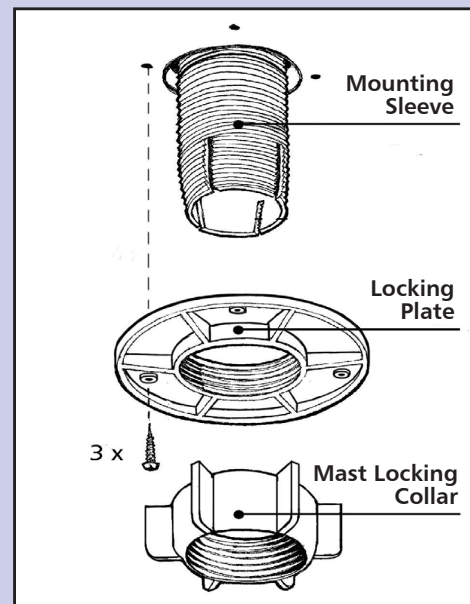
Fitting

To give extra stability and a professional finish an Antenna Blanking Plate is available should the antenna you're replacing have a larger footprint.

1. Using the enclosed Template against the ceiling, position the centre of the hole for the mast 65mm from the wall and drill a 50mm diameter hole. It is crucial that the mast runs VERTICAL through the roof.
2. On the roof, screw into place the **Mounting Sleeve** with foam seal with the four 16mm screws supplied.



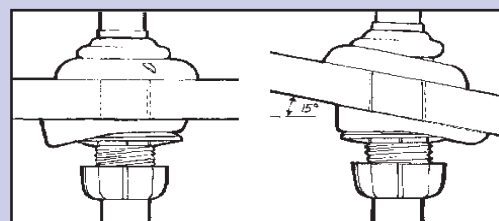
3. On the inside, thread the **Locking Plate** up the sleeve to the ceiling and hand tighten. Secure with the three 16mm screws



4. Feed the Antenna and Mast through the Roof Assembly and lower into place.
5. Tighten the Mast Locking Collar to secure.

Angle Adjustable Mounting Foot

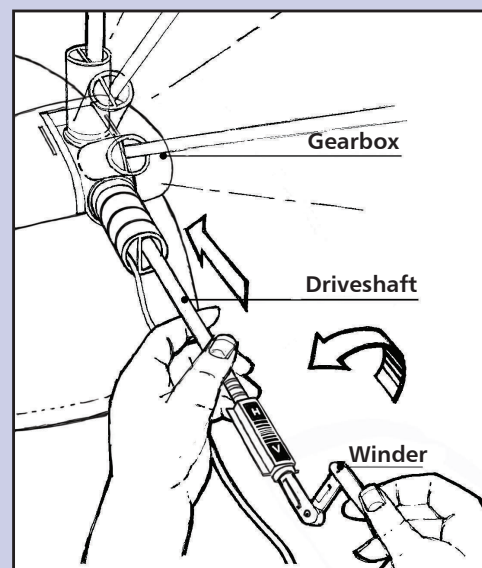
Should your external mounting surface be angled, we have an alternative Adjustable Mounting Foot that accommodates angles up to a maximum of 15 degrees.



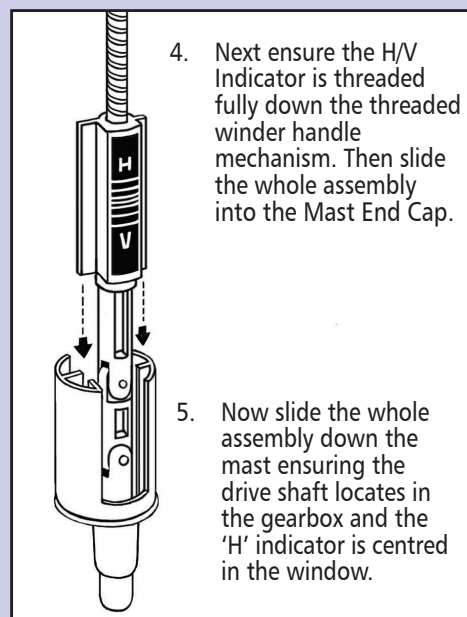
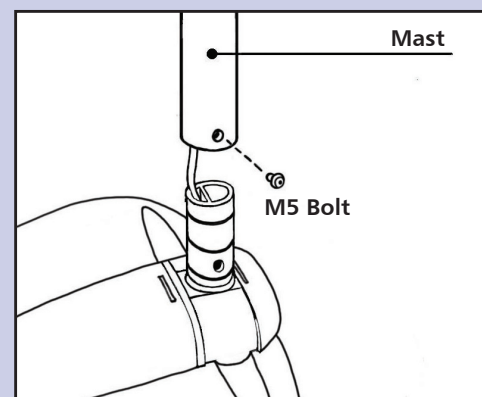
For more information and availability, please contact ourselves

Antenna & Mast

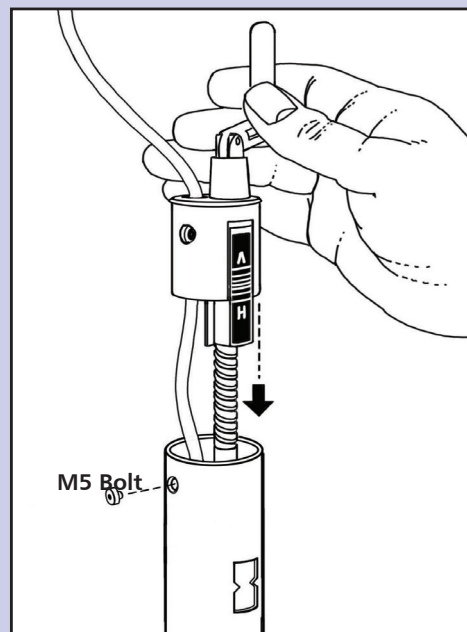
1. Insert the **driveshaft** into the **gearbox** and turn the handle anti-clockwise until the gearbox has rotated through 90° and is vertical. Now remove the **driveshaft**.



2. Whilst feeding through the coaxial cable, lower the mast onto the **gearbox** and gently over the three O-rings with a twisting motion, being careful not to trap or damage the O-rings. If necessary use a soapy water solution as a lubricant (DO NOT use anything oil based).
3. Secure the mast with the **M5 bolt** using the Allan key supplied.



4. Next ensure the H/V Indicator is threaded fully down the threaded winder mechanism. Then slide the whole assembly into the Mast End Cap.
5. Now slide the whole assembly down the mast ensuring the drive shaft locates in the gearbox and the 'H' indicator is centred in the window.



6. Once in place secure with the **M5 bolt** using the Allan key supplied

VERY IMPORTANT - When fitting the two M5 bolts, the heads must be flush with the mast to prevent damage to the gaiter.

When looking directly at the H/V window on the bottom of the mast you are looking in the same direction the antenna is pointing.

The Amplifier

Positioning & Fitting

1. Locate the Amplifier in the wardrobe or locker close to the ceiling, adjacent the mast, where it is easily accessible.
2. Fix in place using the two 38mm screws

Power Supply

1. The Amplifier requires a 12-24 volt power supply from a fused auxiliary outlet fed from the battery. If wiring direct to a battery we recommend an in-line fuse (max 5 amp) on the positive wire. If unsure please consult with a qualified installer.

RED STRIPE +VE, BLACK -VE

DO NOT connect into any other 12-24 volt power cables as they may carry electrical interference which will cause picture pixillation.

Connecting Up the System

1. Plug the Antenna into the 'ANT.IN' socket. DO NOT secure the cable, which must be left loose.
2. Plug your lead into the 'TV' socket of the Amplifier and into your TV antenna socket.
3. Should your TV position be a greater distance than the fly lead provided you will require a length of coaxial cable and two coaxial plugs, which are available from our Vision Plus Range.

IMPORTANT - Do not over tighten the F-Connectors when fitting to your amplifier. The same applies when de-coupling too.

DAB & FM Radio Connection

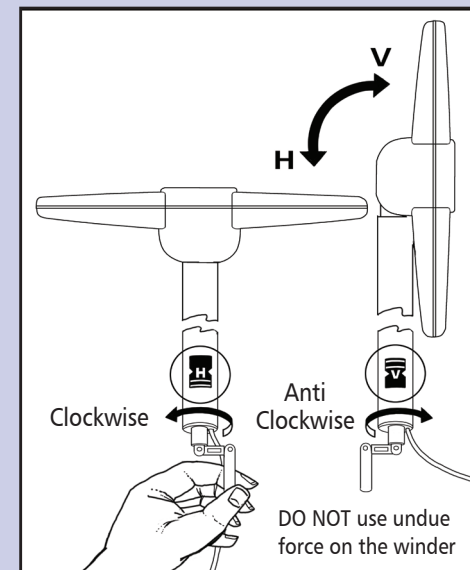
Status is designed to receive DAB & FM when connected to a radio with DAB/FM facility.

1. This will require a coaxial car radio plug, coaxial connectors and a length of coaxial cable, which are available from our Vision Plus Range www.gradeuk.co.uk.
2. Once the cable has been installed plug into the 'Radio' socket of the Amplifier and into your Radio.

Dependant on location DAB & FM Radio reception may be improved by setting the antenna to Vertical.

OPERATING THE SYSTEM

1. Loosen the **Mast Locking Collar** and Wall Bracket to raise the antenna.
2. Determine whether the TV transmissions are horizontal or vertical and position accordingly.



VERTICAL POLARISATION

In extreme wet weather conditions, when the antenna is not in use, such as end of the evening, cant the antenna to horizontal.

3. Switch ON the Amplifier and the LED will illuminate and check the gain is set to MIN by rotating the button anti-clockwise.
4. Rotate the antenna.
RED - Poor signal - keep turning.
YELLOW - getting better - slow down.
GREEN - Signals located, ready to GO.
5. If there's no GREEN increase the Gain and repeat the 360 degree rotation.
6. Once the transmitter has been located increase the Gain to MAX.
7. Turn on your television set and tune in. This will be necessary at all new locations.
8. Secure the Antenna by hand tightening the **Mast Locking Collar** and Wall Bracket.

IMPORTANT

You may detect more than one transmitter. Choose the position that gives you the most channels when tuning in your TV.

In poor signal areas the LED may only glow YELLOW.

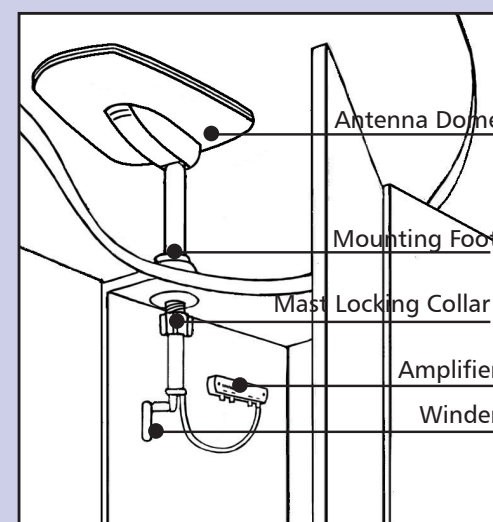
In strong signal areas you may need to reduce the gain by rotating the Control anti-clockwise.

Removing the Antenna

A permanently fitted Status can be easily removed leaving only the **Mounting Foot** and rubber gaiter.

1. Unplug the antenna lead from the Amplifier.
2. Loosen the **Mast Locking Collar** and lift off whilst feeding out the mast, coaxial cable and plug.
3. Push the Blanking Cap supplied into place.

IMPORTANT - The Blanking Cap is a temporary seal and is not recommended for long term use.



IMPORTANT GUIDELINES

VERY IMPORTANT NOTICE

When travelling, you must ensure the antenna is in the **PARKED POSITION**

- Set the antenna to the horizontal position.
- Check the antenna is fully lowered.
- The HV Indicator is facing the direction of travel.
- The mast locking collar is tightened.

Failure to observe the above could affect your Warranty.

Routing Coaxial Cable

Coaxial Cable is quite fragile and must be handled with care. Please comply with the following as failure to do so will severely affect performance.

1. Do not crush, kink or over-bend the coaxial cable which has a minimum bend radius of 25mm.
2. Any excess cable should be removed and MUST NOT be coiled.
3. Avoid increasing the number of connections or breaks in the coaxial cable as they will reduce performance, especially in weak signal areas.
4. Do not run coaxial cable next to mains cable, leave a minimum distance of 120mm to prevent interference.
5. Do not allow the cable to come into contact with any hot surfaces as this could melt the insulation of the cable.
6. Keep away from fluorescent lighting.
7. Do not add excessive lengths of coaxial cable, this will result in increased signal losses and a reduction in picture quality.
8. Should the cable need to be lengthened, use high quality cable and connectors which are available from our Vision Plus Range through our dealers or directly from ourselves at www.visionplus.co.uk.

Maintenance

Gaiter

We suggest you periodically check the gaiter for any signs of damage or for wear.

If the rubber is caught by overhead obstructions it may rip or tear which would allow water to work its way into the fabric of the roof.

Over an extended period of time the gaiter will wear at the contact area with the mast. Should the gaiter begin to fail the signs will be small amounts of water dripping down the outside of the mast, however, the design of the Gaiter and Mounting Foot ensures that water cannot work its way into the fabric of the roof. Should this problem occur contact ourselves for a replacement unit.

Spares & Repairs

Should you require any parts for replacements or repair please log on to www.visionplus.co.uk or contact ourselves on 0115 986 7151.

GUARANTEE

The Status Antenna has a return to base guarantee against defective parts and workmanship for two years from date of purchase*. This does not include any malfunction resulting from improper use, incorrect installation, accidental or malicious damage. To support your guarantee claim a dated Proof of Purchase will be required.

*This does not affect your statutory rights. Any queries

Fault Finding

The following are some of the key areas we suggest you check which generally solve the most common problems encountered with the operation of the Status antenna.

Coaxial Connections

It is critical that all connections in the system are fitted correctly and only quality plugs have been used.

Coaxial Cable

Sharp bends, kinks and hot surfaces can easily damage coaxial cable and should be avoided. Coaxial cable, if placed in close proximity to electrical cables, transformers or other pieces of electrical equipment, may pick up electrical interference causing picture quality to deteriorate, especially in poor reception areas. Excess cable should be removed and NOT coiled as this may cause picture distortion. An inspection of the routing of the cable is highly recommended to ensure all is correct.

Gain Control

In normal use the button should be rotated clockwise for maximum. In strong signal areas the amplification may need to be reduced. To reduce amplification rotate the button anti-clockwise until picture quality improves. The button rotates through 270 degrees from MAX to MIN.

LED Light

Should the LED on the Amplifier not light, firstly check there is power to the unit. Secondly check the polarity is correct. Otherwise contact ourselves for further assistance.

Short Hook Up - Test 1

This test isolates the wiring from the Amplifier through to your TV/Radio points.

Unplug the coaxial plugs from the 'TV' sockets of the Amplifier and using your TV fly lead with Converter 1 supplied. Connect your TV to the Amplifier.

Please ensure the Antenna Dome is plugged directly into the 'ANT-IN' socket of the Amplifier and switch on. Tune in your TV for the strongest signal.

If the picture quality improves the fault lies with the wiring of the system between the Amplifier and the TV outlet socket.

Short Hook Up - Test 2

This test isolates the Amplifier by connecting your TV direct to the Antenna.

Unplug the Antenna from the Amplifier and connect Converter 2 supplied to the plug on the cable end. Using your TV Fly lead connect the antenna directly to your TV. Tune in your TV for the strongest signal.

If the picture quality improves, the fault lies with the Vision Plus Amplifier.

Antenna Dome Co-axial Cable

Check the routing of the coaxial cable from the Antenna Dome to the Amplifier. Check to ensure there are no kinks or trapped cable or if there are loops of surplus cable which could be affecting performance.

Customer Help Line

Should you still be experiencing difficulties and require assistance, please do not hesitate to contact us at the address below.

VISION PLUS
...keeping you in the picture

VISION PLUS
8 Finch Close
Nottingham NG7 2NN
0115 986 7151
info@visionplus.co.uk
www.visionplus.co.uk

VISION PLUS is a trading name of Grade UK Limited



Designed and manufactured in the UK

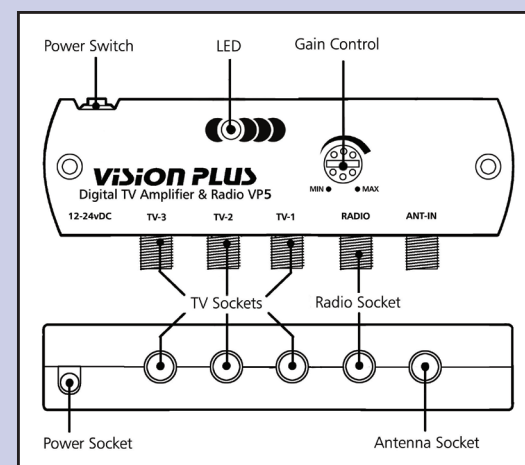
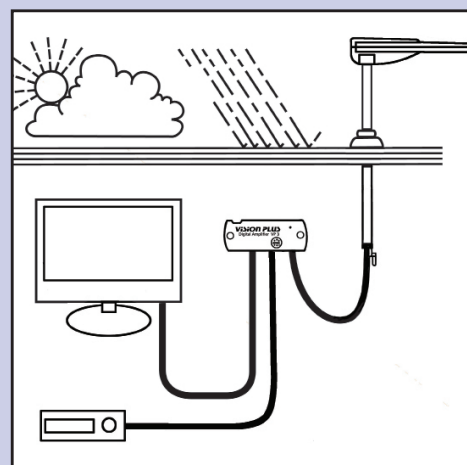
VISION PLUS

STATUS 570 Digital Antenna System

Please read these instructions carefully. Incorrect installation will affect the performance of your Status

Technical:

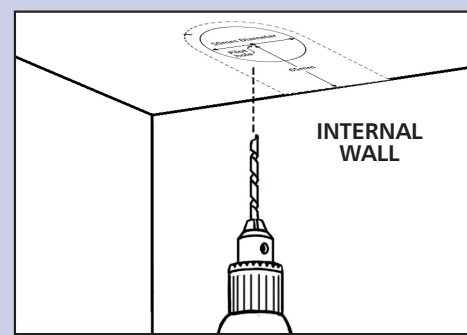
Frequency range	UHF 470-790 MHz Radio 88-108 MHz DAB 175-230 MHz	Antenna Dome installed	Length 412mm Width 348mm Height 108mm Diameter 122mm Roof Cavity Range 25-50mm
Amplifier gain max	15 db	Mounting Foot	Mast intrusion into locker 305-280mm Amplifier & Signal Finder 157x46x29mm Total System Weight 1.82Kg
Gain adjustment	0 to \approx 15 db		
Flatness	\pm 1.5 db		
Noise figure	< 2.2 db		
Output impedance	75 ohms		
Signal handling	80 dbuv		
Power supply	10.8-28 vDC		
Power consumption	55 ma		
Outlets	3 TV, 1 Radio		



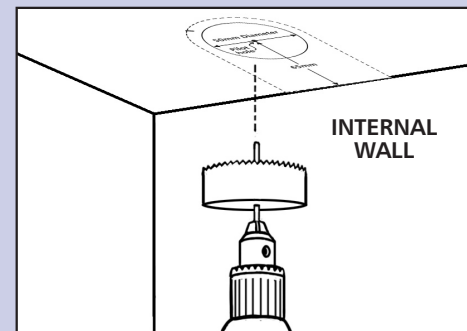
RETAIL

INSTRUCTIONS FOR HOLE CUTTING

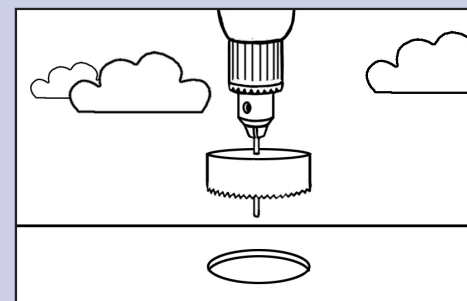
Position in a suitable wardrobe or locker, at least 50mm away from an internal wall. To reduce the possibility of damage when travelling, position away from the edge of the roofline.



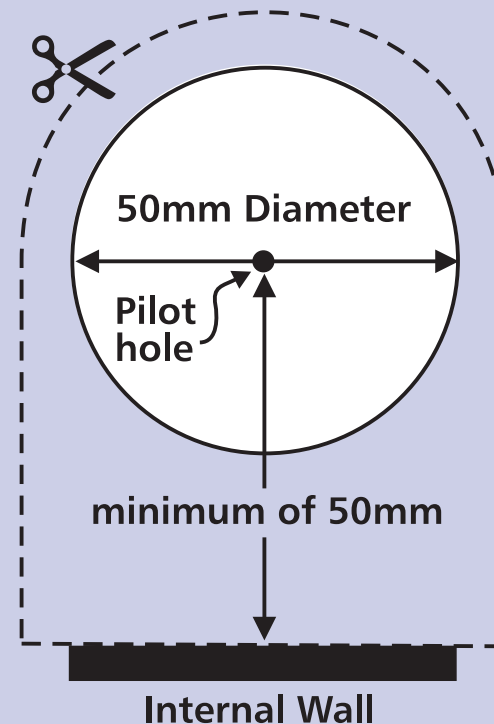
Position the template in place and drill a pilot hole from the inside, clean through the roof. The hole MUST BE VERTICAL.



First drill from the inside using a 50mm hole cutter.



Next drill from the outside using the same 50mm hole cutter to create a through hole. File down any rough edges.



Signal	Symptom	Action
Very Poor	No picture or sound, TV freezing, severe pixilation, break up and picture drop out	Check the amplifier gain is set to maximum (rotate clockwise). Check antenna alignment which must be directed at the transmitter. Ensure the antennas polarity is correct, whether horizontal or vertical. Bypass the amplifier by following "Short Hook-Up Test 1".
Poor	Moderate pixilation and sound distortion	
Medium	Minor pixilation, will not receive all channels	
Good	Stable picture, good sound quality, will receive all channels	N / A
Strong	Possible pixilation, picture break up and drop out	Reduce the amplifier gain (rotate anti-clockwise). Rotate antenna AWAY from the transmitter.
Very Strong	No picture or sound, TV freezing, severe pixilation, break up and picture drop out	Rotate antenna AWAY from the transmitter. Switch 'OFF' the amplifier and turn the gain control to maximum (rotate clockwise).

After performing any of the 'Actions' above you must re-tune your TV